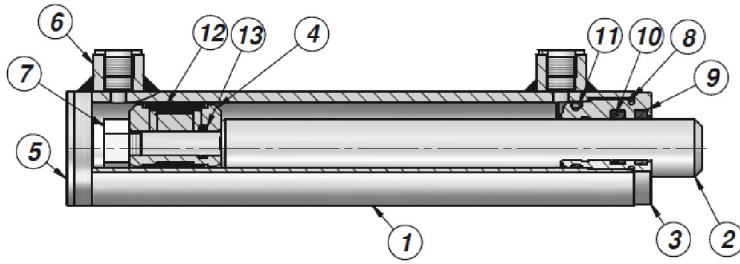
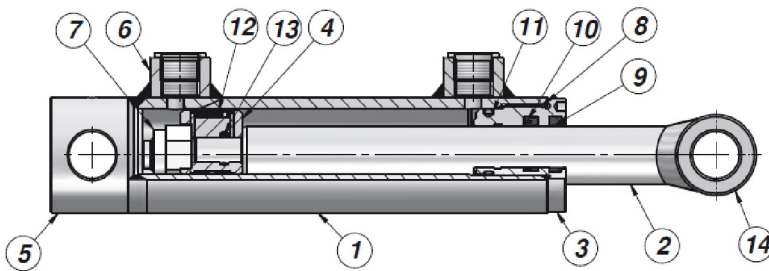


## Double Acting Hydraulic Cylinders

1



Type HM & HM0LM

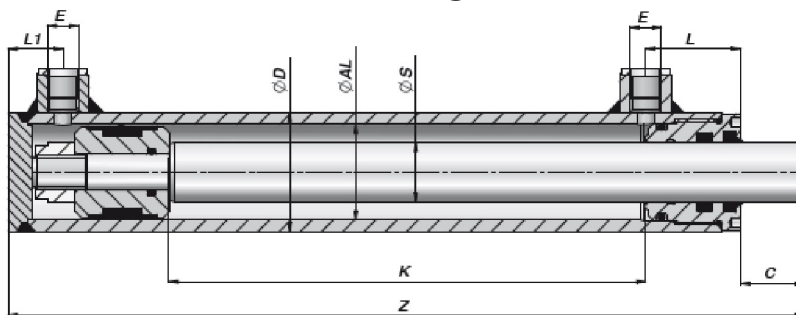


Type HFR2S

Component Identification					
No.	Name	Material	No.	Name	Material
1	Polished Tube	Steel - ISO H9	9	Wiper - Seal	Polyurethane
2	Hard Chromed Rod	Steel - SAE 1045	10	Shaft Seal	Nitrile/Polyurethane
3	Gland - Head	Cast Iron	11	O-Ring	Nitrile Rubber
4	Piston	Steel	12	Piston Seal	Nitrile /Polyester
5	Base - End Plug	Steel	13	O-Ring	Nitrile Rubber
6	Threaded Port	Steel	14	Bush	Steel
7	Locknut	Steel			
8	O-Ring	Nitrile Rubber			

Operating Parameters				
Type	Max Pressure	Max Velocity	Max Temperature	Min Temperature
HM0	210 bar	0.5 m/sec	80°C	- 25°C
HM0LM	180 bar	0.5 m/sec	80°C	- 25°C
HFR2S	210 bar	0.5 m/sec	80°C	- 25°C
HMF	210 bar	0.5 m/sec	80°C	- 25°C

## Double Acting Hydraulic Cylinders HMO



Part Code	K	Z		E	L	L1	C	Part Code	K	Z	
<b>ØD 35 ØAL 25 ØS 16</b>											
HM0025160050	50	135		1/4"	33	15	17				
HM0025160100	100	185									
HM0025160150	150	235									
HM0025160200	200	285									
<b>ØD 42 ØAL 32 ØS 20</b>											
HM0032200050	50	155		1/4"	33	20	16				
HM0032200100	100	205									
HM0032200150	150	255									
HM0032200200	200	305									
HM0032200250	250	355									
HM0032200300	300	405									
HM0032200400	400	505									
HM0032200500	500	605									
<b>ØD 50 ØAL 40 ØS 20</b>								<b>ØD 50 ØAL 40 ØS 25</b>			
HM01200100	100	230		1/4"	40	23	22	HM01250100	100	230	
HM01200150	150	280						HM01250150	150	280	
HM01200200	200	330						HM01250200	200	330	
HM01200250	250	380						HM01250250	250	380	
HM01200300	300	430						HM01250300	300	430	
HM01200350	350	480						HM01250350	350	480	
HM01200400	400	530						HM01250400	400	530	
HM01200450	450	580						HM01250450	450	580	
HM01200500	500	630						HM01250500	500	630	
								HM01250550	550	680	
				HM01250600	600	730					
<b>ØD 60 ØAL 50 ØS 25</b>								<b>ØD 60 ØAL 50 ØS 30</b>			
HM02250100	100	240		3/8"	43	26	22	HM02300150	150	290	
HM02250150	150	290						HM02300200	200	340	
HM02250200	200	340						HM02300250	250	390	
HM02250250	250	390						HM02300300	300	440	
HM02250300	300	440						HM02300350	350	490	
HM02250350	350	490						HM02300400	400	540	
HM02250400	400	540						HM02300450	450	590	
HM02250450	450	590						HM02300500	500	640	
HM02250500	500	640						HM02300550	550	690	
HM02250550	550	690						HM02300600	600	740	
HM02250600	600	740						HM02300700	700	840	
HM02250800	800	940						HM02300800	800	940	
HM02251000	1000	1140						HM02301000	1000	1140	

## Double Acting Hydraulic Cylinders HMO

1

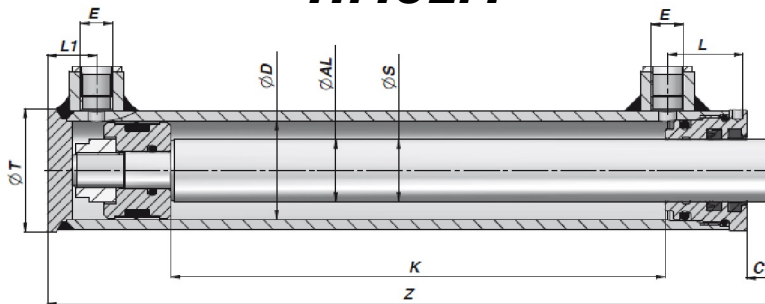
Part Code	K	Z		E	L	L1	C	Part Code	K	Z					
ØD 70 ØAL 60 ØS 30								ØD 70 ØAL 60 ØS 35							
HM03300100	100	260		3/8"	50	30	23	HM03350100	100	260					
HM03300150	150	310						HM03350150	150	310					
HM03300200	200	360						HM03350200	200	360					
HM03300250	250	410						HM03350250	250	410					
HM03300300	300	460						HM03350300	300	460					
HM03300350	350	510						HM03350350	350	510					
HM03300400	400	560						HM03350400	400	560					
HM03300450	450	610						HM03350450	450	610					
HM03300500	500	660						HM03350500	500	660					
HM03300550	550	710						HM03350550	550	710					
HM03300600	600	760						HM03350600	600	760					
HM03300800	800	960						HM03350800	800	960					
HM03301000	1000	1160						HM03351000	1000	1160					
ØD 70 ØAL 60 ØS 40												ØD 73 ØAL 63 ØS 40			
HM03400200	200	360		3/8"	50	30	23	HM0063400200	200	360					
HM03400250	250	410						HM0063400250	250	410					
HM03400300	300	460						HM0063400300	300	460					
HM03400350	350	510						HM0063400350	350	510					
HM03400400	400	560						HM0063400400	400	560					
HM03400450	450	610						HM0063400450	450	610					
HM03400500	500	660						HM0063400500	500	660					
HM03400550	550	710						HM0063400550	550	710					
HM03400600	600	760						HM0063400600	600	760					
HM03400800	800	960						HM0063400800	800	960					
HM03401000	1000	1160						HM0063401000	1000	1160					
ØD 80 ØAL 70 ØS 35												ØD 80 ØAL 70 ØS 40			
HM04350100	100	260						3/8"	50	33	23				
HM04350150	150	310													
HM04350200	200	360		HM04400200	200	360									
HM04350250	250	410		HM04400250	250	410									
HM04350300	300	460		HM04400300	300	460									
HM04350350	350	510		HM04400350	350	510									
HM04350400	400	560		HM04400400	400	560									
HM04350450	450	610		HM04400450	450	610									
HM04350500	500	660		HM04400500	500	660									
HM04350550	550	710		HM04400550	550	710									
HM04350600	600	760		HM04400600	600	760									
HM04350800	800	960		HM04400800	800	960									
HM04351000	1000	1160		HM04401000	1000	1160									
ØD 92 ØAL 80 ØS 40												ØD 92 ØAL 80 ØS 50			
HM05400200	200	380		1/2"	60	35	25	HM05500200	200	380					
HM05400250	250	430						HM05500250	250	430					
HM05400300	300	480						HM05500300	300	480					
HM05400400	400	580						HM05500400	400	580					
HM05400500	500	680						HM05500500	500	680					
HM05400600	600	780						HM05500600	600	780					
HM05400800	800	980						HM05500800	800	980					
HM05401000	1000	1180						HM05501000	1000	1180					

## Double Acting Hydraulic Cylinders HMO

1

Part Code	K	Z		E	L	L1	C	Part Code	K	Z	
<b>ØD105 ØAL 90 ØS 45</b>								<b>ØD105 ØAL 90 ØS 50</b>			
HM0090450300	300	486		1/2"	60	40	23	HM0090500300	300	486	
HM0090450400	400	586						HM0090500400	400	586	
HM0090450500	500	686						HM0090500500	500	686	
HM0090450600	600	786						HM0090500600	600	786	
HM0090450800	800	986						HM0090500800	800	986	
HM0090451000	1000	1186						HM0090501000	1000	1186	
<b>ØD115 ØAL100 ØS 50</b>								<b>ØD115 ØAL100 ØS 60</b>			
HM06500200	200	410		1/2"	82	38	25				
HM06500250	250	460									
HM06500300	300	510						HM06600300	300	510	
HM06500400	400	610						HM06600400	400	610	
HM06500500	500	710						HM06600500	500	710	
HM06500600	600	810						HM06600600	600	810	
HM06500800	800	1010						HM06600800	800	1010	
HM06501000	1000	1210						HM06601000	1000	1210	

## HMOLM



Part Code	K	Z		E	L	L1	C	Part Code	K	Z	
<b>ØD 48 ØAL 40 ØS 20</b>								<b>ØD 48 ØAL 40 ØS 25</b>			
HMOLM0400200100	100	195		1/4"	32	20	12	HMOLM0400250100	100	195	
HMOLM0400200150	150	245						HMOLM0400250150	150	245	
HMOLM0400200200	200	295						HMOLM0400250200	200	295	
HMOLM0400200250	250	345						HMOLM0400250250	250	345	
HMOLM0400200300	300	395						HMOLM0400250300	300	395	
HMOLM0400200350	350	445						HMOLM0400250350	350	445	
HMOLM0400200400	400	495						HMOLM0400250400	400	495	
HMOLM0400200450	450	545						HMOLM0400250450	450	545	
HMOLM0400200500	500	595						HMOLM0400250500	500	595	
<b>ØD 58 ØAL 50 ØS 25</b>								<b>ØD 58 ØAL 50 ØS 30</b>			
HMOLM0500250100	100	205		3/8"	36	22	13	HMOLM0500300100	100	205	
HMOLM0500250150	150	255						HMOLM0500300150	150	255	
HMOLM0500250200	200	305						HMOLM0500300200	200	305	
HMOLM0500250250	250	355						HMOLM0500300250	250	355	
HMOLM0500250300	300	405						HMOLM0500300300	300	405	
HMOLM0500250350	350	455						HMOLM0500300350	350	455	
HMOLM0500250400	400	505						HMOLM0500300400	400	505	
HMOLM0500250450	450	555						HMOLM0500300450	450	555	
HMOLM0500250500	500	605						HMOLM0500300500	500	605	

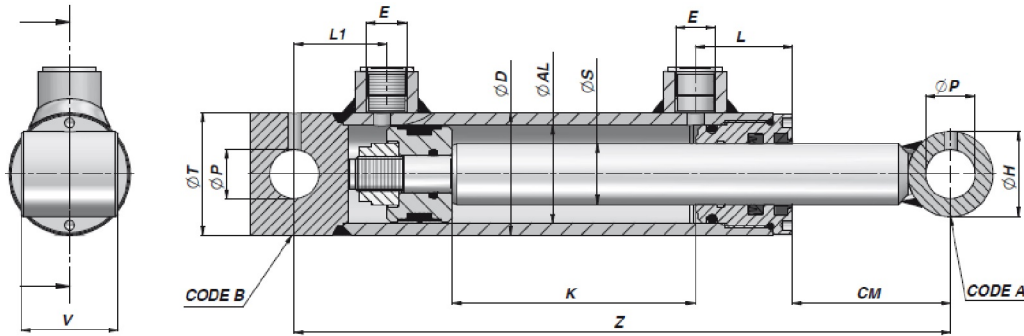
## Double Acting Hydraulic Cylinders

### HMOLM

1

Part Code	K	Z		E	L	L1	C	Part Code	K	Z	
<b>ØD 68 ØAL 60 ØS 30</b>								<b>ØD 68 ØAL 60 ØS 35</b>			
HMOLM0600300100	100	220		3/8"	39	25	13	HMOLM0600350100	100	220	
HMOLM0600300150	150	270						HMOLM0600350150	150	270	
HMOLM0600300200	200	320						HMOLM0600350200	200	320	
HMOLM0600300250	250	370						HMOLM0600350250	250	370	
HMOLM0600300300	300	420						HMOLM0600350300	300	420	
HMOLM0600300350	350	470						HMOLM0600350350	350	470	
HMOLM0600300400	400	520						HMOLM0600350400	400	520	
HMOLM0600300450	450	570						HMOLM0600350450	450	570	
HMOLM0600300500	500	620						HMOLM0600350500	500	620	
<b>ØD 78 ØAL 70 ØS 35</b>								<b>ØD 78 ØAL 70 ØS 40</b>			
HMOLM0700350100	100	220		3/8"	39	25	13				
HMOLM0700350150	150	270									
HMOLM0700350200	200	320						HMOLM0700400200	200	320	
HMOLM0700350250	250	370						HMOLM0700400250	250	370	
HMOLM0700350300	300	420						HMOLM0700400300	300	420	
HMOLM0700350350	350	470						HMOLM0700400350	350	470	
HMOLM0700350400	400	520						HMOLM0700400400	400	520	
HMOLM0700350500	500	620						HMOLM0700400500	500	620	

### HFR2S



Part Code	K	Z		E	L	L1	CM	ØP	ØH	V	ØT	Code A	Code B
<b>ØD 35 ØAL 25 ØS 16</b>													
HFR0160050	50	160		1/4"	33	22	31	12.1	25	25	35	CBF0 012025025	CFHR 035025
HFR0160100	100	210											
HFR0160150	150	260											
HFR0160200	200	310											
<b>ØD 42 ØAL 32 ØS 20</b>													
HFR0200050	50	205		1/4"	33	35	51	16.2	30	35	40	CBF0016030035	CFHR040032
HFR0200100	100	255											
HFR0200150	150	305											
HFR0200200	200	355											
HFR0200250	250	405											
HFR0200300	300	455											
HFR0200400	400	555											
HFR0200500	500	655											

## Double Acting Hydraulic Cylinders

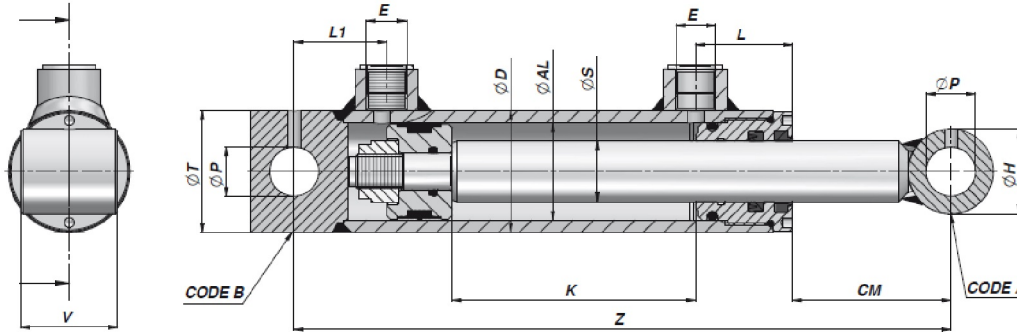
### HFR2S

1

Part Code	K	Z		E	L	L1	CM	ØP	ØH	V	ØT	Code A	Code B
<b>ØD 50 ØAL 40 ØS 25</b>													
HFR2S0400250100	100	270		3/8"	40	38	65	20.3	35	40	50	CBF1020035040	CFHR040020040
HFR2S0400250150	150	320											
HFR2S0400250200	200	370											
HFR2S0400250250	250	420											
HFR2S0400250300	300	470											
HFR2S0400250400	400	570											
HFR2S0400250500	500	670											
HFR2S0400250600	600	770											
HFR2S0400250700	700	870											
HFR2S0400250800	800	970											
<b>ØD 60 ØAL 50 ØS 30</b>													
HFR2S0500300100	100	300		3/8"	43	42	85	25.3	40	45	60	CBF1025040045	CFHR050025049
HFR2S0500300150	150	350											
HFR2S0500300200	200	400											
HFR2S0500300250	250	450											
HFR2S0500300300	300	500											
HFR2S0500300400	400	600											
HFR2S0500300500	500	700											
HFR2S0500300600	600	800											
HFR2S0500300700	700	900											
HFR2S0500300800	800	1000											
HFR2S0500300900	900	1100											
HFR2S0500301000	1000	1200											
<b>ØD 70 ØAL 60 ØS 30</b>													
HFR2S0600300100	100	300		3/8"	50	36	83	25.3	40	45	70	CBF1025040045	CFHR060025047
HFR2S0600300150	150	350											
HFR2S0600300200	200	400											
HFR2S0600300250	250	450											
HFR2S0600300300	300	500											
HFR2S0600300350	350	550											
HFR2S0600300400	400	600											
HFR2S0600300450	450	650											
HFR2S0600300500	500	700											
HFR2S0600300600	600	800											
HFR2S0600300700	700	900											
<b>ØD 70 ØAL 60 ØS 35</b>													
HFR2S0600350200	200	400		3/8"	50	36	83	25.3	40	45	70	CBF1025040045	CFHR060025047
HFR2S0600350300	300	500											
HFR2S0600350400	400	600											
HFR2S0600350500	500	700											
HFR2S0600350600	600	800											
HFR2S0600350700	700	900											
HFR2S0600350800	800	1000											
HFR2S0600350900	900	1100											
HFR2S0600351000	1000	1200											

## Double Acting Hydraulic Cylinders HFR2S

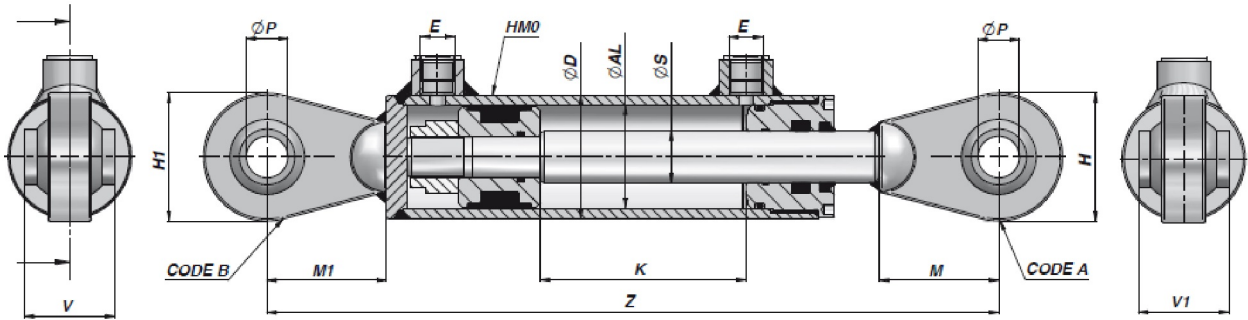
1



Part Code	K	Z		E	L	L1	CM	ØP	ØH	V	ØT	Code A	Code B
<b>ØD 80 ØAL 70 ØS 40</b>													
HFR2S0700400200	200	410		3/8"	50	46	82	30.3	50	55	80	CBF1030050055	CFHR070030063
HFR2S0700400250	250	460											
HFR2S0700400300	300	510											
HFR2S0700400350	350	560											
HFR2S0700400400	400	610											
HFR2S0700400450	450	660											
HFR2S0700400500	500	710											
HFR2S0700400600	600	810											
HFR2S0700400700	700	910											
HFR2S0700400800	800	1010											
HFR2S0700400900	900	1110											
<b>ØD 92 ØAL 80 ØS 40</b>													
HFR2S0800400200	200	410		3/8"	60	42	70	30.3	50	55	90	CBF1030050055	CFHR080030060
HFR2S0800400250	250	460											
HFR2S0800400300	300	510											
HFR2S0800400350	350	560											
HFR2S0800400400	400	610											
HFR2S0800400500	500	710											
HFR2S0800400600	600	810											
HFR2S0800400700	700	910											
HFR2S0800400800	800	1010											
HFR2S0800400900	900	1110											
HFR2S0800401000	1000	1210											
<b>ØD115 ØAL100 ØS 50</b>													
HFR2S1000500200	200	410		1/2"	66	45	75	30.3	60	70	115	CBF1030060070	CFHR10030063
HFR2S1000500300	300	460											
HFR2S1000500400	400	510											
HFR2S1000500500	500	560											
HFR2S1000500700	700	610											
HFR2S1000500900	900	710											
HFR2S1000501000	1000	810											

## Double Acting Hydraulic Cylinders HM1

1



Part Code	K	Z		E	ØP	H	V	M	H1	V1	M1	Code A	Code B
<b>ØD 42 ØAL 32 ØS 20</b>													
HM1032200050	50	275		1/4"	16.2	46	20	60	46	20	60	CSR0010495	CSR0010495
HM1032200100	100	325											
HM1032200150	150	375											
HM1032200200	200	425											
HM1032200250	250	475											
HM1032200300	300	525											
HM1032200400	400	625											
HM1032200500	500	725											
<b>ØD 50 ØAL 40 ØS 20</b>													
HM11200100	100	350		1/4"	16.2	46	20	60	46	20	60	CSR0010495	CSR0010495
HM11200150	150	400											
HM11200200	200	450											
HM11200250	250	500											
HM11200300	300	550											
HM11200350	350	600											
HM11200400	400	650											
HM11200450	450	700											
HM11200500	500	750											
<b>ØD 50 ØAL 40 ØS 25</b>													
HM11250100	50	350		1/4"	16.2	46	20	60	46	20	60	CSR0010495	CSR0010495
HM11250150	150	400											
HM11250200	200	450											
HM11250250	250	500											
HM11250300	300	550											
HM11250350	350	600											
HM11250400	400	650											
HM11250450	450	700											
HM11250500	500	750											
HM11250550	550	800											
HM11250600	600	850											



## Double Acting Hydraulic Cylinders

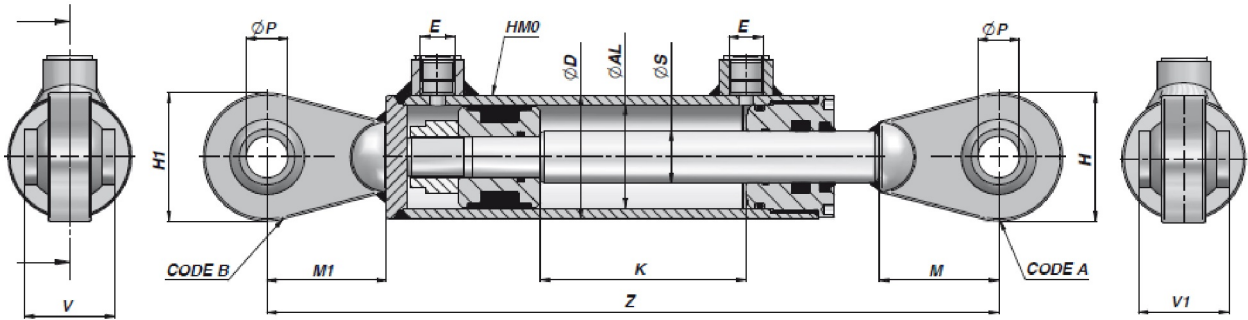
### HM1

1

Part Code	K	Z		E	ØP	H	V	M	H1	V1	M1	Code A	Code B
ØD 60    ØAL 50    ØS 25													
HM12250100	100	356											
HM12250150	150	406											
HM12250200	200	456											
HM12250250	250	506											
HM12250300	300	556											
HM12250350	350	606											
HM12250400	400	656		3/8"	20.2	62	44	58	62	44	58	CSR0010720	CSR0010720
HM12250450	450	706											
HM12250500	500	756											
HM12250550	550	806											
HM12250600	600	856											
HM12250800	800	1056											
HM12251000	1000	1256											
ØD 60    ØAL 50    ØS 30													
HM12300150	150	406											
HM12300200	200	456											
HM12300250	250	506											
HM12300300	300	556											
HM12300350	350	606											
HM12300400	400	656		3/8"	20.2	62	44	58	62	44	58	CSR0010720	CSR0010720
HM12300450	450	706											
HM12300500	500	756											
HM12300550	550	806											
HM12300600	600	856											
HM12300700	700	956											
HM12300800	800	1056											
HM12301000	1000	1256											
ØD 70    ØAL 60    ØS 30													
HM13300100	100	390											
HM13300150	150	440											
HM13300200	200	490											
HM13300250	250	540											
HM13300300	300	590											
HM13300350	350	640											
HM13300400	400	690		3/8"	25.4	75	51	65	75	51	65	CSR0010740	CSR0010740
HM13300450	450	740											
HM13300500	500	790											
HM13300550	550	840											
HM13300600	600	890											
HM13300800	800	1090											
HM13301000	1000	1290											

1

## Double Acting Hydraulic Cylinders HM1



Part Code	K	Z		E	ØP	H	V	M	H1	V1	M1	Code A	Code B
<b>ØD 70 ØAL 60 ØS 35</b>													
HM13350100	100	390											
HM13350150	150	440											
HM13350200	200	490											
HM13350250	250	540											
HM13350300	300	590											
HM13350350	350	640											
HM13350400	400	690		3/8"	25.4	75	51	65	75	51	65	CSR0010740	CSR0010740
HM13350450	450	740											
HM13350500	500	790											
HM13350550	550	840											
HM13350600	600	890											
HM13350800	800	1090											
HM13351000	1000	1290											
<b>ØD 70 ØAL 60 ØS 40</b>													
HM13400200	200	490											
HM13400250	250	540											
HM13400300	300	590											
HM13400350	350	640											
HM13400400	400	690											
HM13400450	450	740		3/8"	25.4	75	51	65	75	51	65	CSR0010740	CSR0010740
HM13400500	500	790											
HM13400550	550	840											
HM13400600	600	890											
HM13400800	800	1090											
HM13401000	1000	1290											
<b>ØD 73 ØAL 63 ØS 40</b>													
HM1063400200	200	490											
HM1063400250	250	540											
HM1063400300	300	590											
HM1063400350	350	640											
HM1063400400	400	690											
HM1063400450	450	740		3/8"	25.4	75	51	65	75	51	65	CSR0010740	CSR0010740
HM1063400500	500	790											
HM1063400550	550	840											
HM1063400600	600	890											
HM1063400800	800	1090											
HM1063401000	1000	1290											

## Double Acting Hydraulic Cylinders

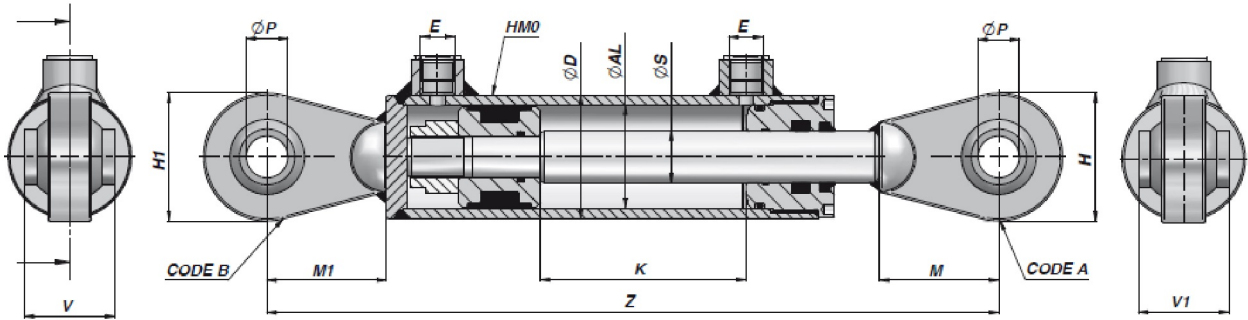
### HM1

1

Part Code	K	Z		E	ØP	H	V	M	H1	V1	M1	Code A	Code B
ØD 80    ØAL 70    ØS 35													
HM14350100	100	390		3/8"	25.4	75	51	65	75	51	65	CSR0010740	CSR0010740
HM14350150	150	440											
HM14350200	200	490											
HM14350250	250	540											
HM14350300	300	590											
HM14350350	350	640											
HM14350400	400	690											
HM14350450	450	740											
HM14350500	500	790											
HM14350550	550	840											
HM14350600	600	890											
HM14350800	800	1090											
HM14351000	1000	1290											
ØD 80    ØAL 70    ØS 40													
HM14400200	200	490		3/8"	25.4	75	51	65	75	51	65	CSR0010740	CSR0010740
HM14400250	250	540											
HM14400300	300	590											
HM14400350	350	640											
HM14400400	400	690											
HM14400450	450	740											
HM14400500	500	790											
HM14400550	550	840											
HM14400600	600	890											
HM14400800	800	1090											
HM14401000	1000	1290											
ØD 92    ØAL 80    ØS 40													
HM15400200	200	510		1/2"	30.2	83	55	65	83	55	65	CSR0010810	CSR0010810
HM15400250	250	560											
HM15400300	300	610											
HM15400400	400	710											
HM15400500	500	810											
HM15400600	600	910											
HM15400800	800	1110											
HM15401000	1000	1310											
ØD 92    ØAL 80    ØS 50													
HM15500200	200	510		1/2"	30.2	83	55	65	83	55	65	CSR0010810	CSR0010810
HM15500250	250	560											
HM15500300	300	610											
HM15500400	400	710											
HM15500500	500	810											
HM15500600	600	910											
HM15500800	800	1110											
HM15501000	1000	1310											

1

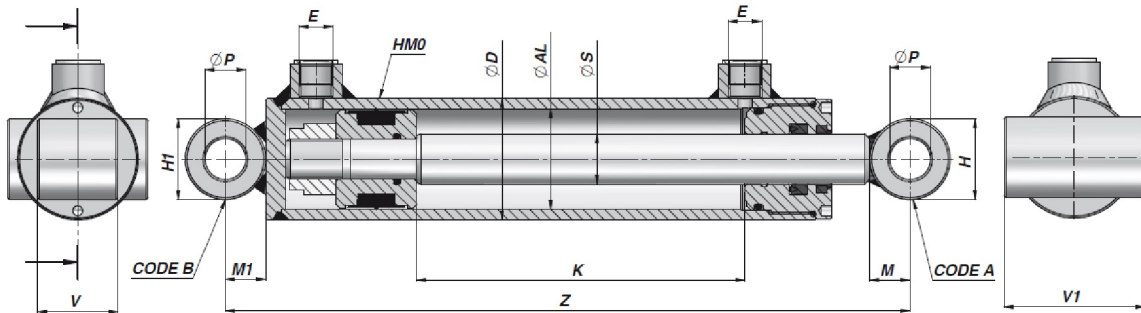
## Double Acting Hydraulic Cylinders HM1



Part Code	K	Z		E	ØP	H	V	M	H1	V1	M1	Code A	Code B
<b>ØD105 ØAL 90 ØS 50</b>													
HM1090500300	300	656		1/2"	40.2	108	75	85	108	75	85	CSR0010820	CSR0010820
HM1090500400	400	756											
HM1090500500	500	856											
HM1090500600	600	956											
HM1090500800	800	1156											
HM1090501000	1000	1356											
<b>ØD115 ØAL100 ØS 50</b>													
HM16500200	200	580		1/2"	40.2	108	75	85	108	75	85	CSR0010820	CSR0010820
HM16500250	250	630											
HM16500300	300	680											
HM16500400	400	780											
HM16500500	500	880											
HM16500600	600	980											
HM16500800	800	1180											
HM16501000	1000	1380											
<b>ØD115 ØAL100 ØS 60</b>													
HM16600300	300	680		1/2"	40.2	108	75	85	108	75	58	CSR0010820	CSR0010820
HM16600400	400	780											
HM16600500	500	880											
HM16600600	600	980											
HM16600800	800	1180											
HM16601000	1000	1380											

## Double Acting Hydraulic Cylinders HM2

1



Part Code	K	Z		E	ØP	H	V	M	H1	V1	M1	Code A	Code B
<b>ØD 42 ØAL 32 ØS 20</b>													
HM2032200050	50	190		1/4"	16.3	35	30	17.5	35	60	17.5	CB16035030	CB16035060
HM2032200100	100	240											
HM2032200150	150	290											
HM2032200200	200	340											
HM2032200250	250	390											
HM2032200300	300	440											
HM2032200400	400	540											
HM2032200500	500	640											
<b>ØD 50 ØAL 40 ØS 20</b>													
HM21200100	100	265		1/4"	16.3	35	30	17.5	35	60	17.5	CB16035030	CB16035060
HM21200150	150	315											
HM21200200	200	365											
HM21200250	250	415											
HM21200300	300	465											
HM21200350	350	515											
HM21200400	400	565											
HM21200450	450	615											
HM21200500	500	665											
<b>ØD 50 ØAL 40 ØS 25</b>													
HM21250100	100	265		1/4"	16.3	35	30	17.5	35	60	17.5	CB16035030	CB16035060
HM21250150	150	315											
HM21250200	200	365											
HM21250250	250	415											
HM21250300	300	465											
HM21250350	350	515											
HM21250400	400	565											
HM21250450	450	615											
HM21250500	500	665											
HM21250550	550	715											
HM21250600	600	765											

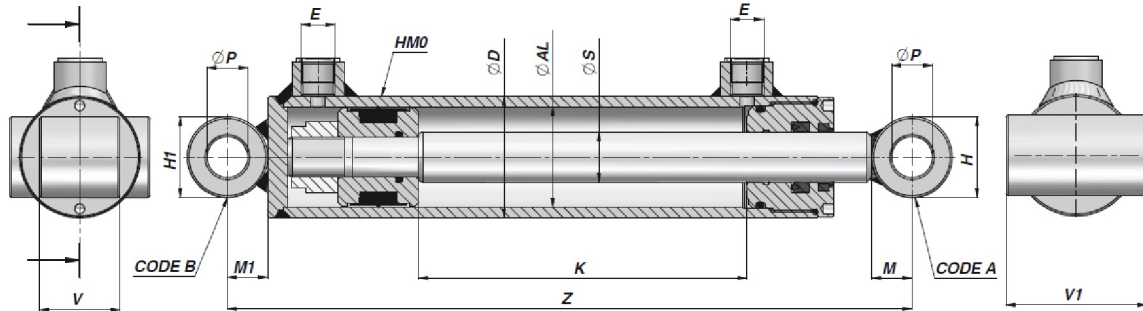
## Double Acting Hydraulic Cylinders HM2

1

Part Code	K	Z		E	ØP	H	V	M	H1	V1	M1	Code A	Code B
<b>ØD 60 ØAL 50 ØS 25</b>													
HM22250100	100	280											
HM22250150	150	330											
HM22250200	200	380											
HM22250250	250	430											
HM22250300	300	480											
HM22250350	350	530											
HM22250400	400	580		3/8"	20.3	40	40	20	40	70	20	CB20040040	CB20040070
HM22250450	450	630											
HM22250500	500	680											
HM22250550	550	730											
HM22250600	600	780											
HM22250800	800	980											
HM22251000	1000	1180											
<b>ØD 60 ØAL 50 ØS 30</b>													
HM22300150	150	330											
HM22300200	200	380											
HM22300250	250	430											
HM22300300	300	480											
HM22300350	350	530											
HM22300400	400	580											
HM22300450	450	630		3/8"	20.3	40	40	20	40	70	20	CB20040040	CB20040070
HM22300500	500	680											
HM22300550	550	730											
HM22300600	600	780											
HM22300700	700	880											
HM22300800	800	980											
HM22301000	1000	1180											
<b>ØD 70 ØAL 60 ØS 30</b>													
HM23300100	100	310											
HM23300150	150	360											
HM23300200	200	410											
HM23300250	250	460											
HM23300300	300	510											
HM23300350	350	560											
HM23300400	400	610											
HM23300450	450	660											
HM23300500	500	710											
HM23300550	550	760											
HM23300600	600	810											
HM23300800	800	1010											
HM23301000	1000	1210		3/8"	25.3	50	50	25	50	80	25	CB25050050	CB25050080

## Double Acting Hydraulic Cylinders HM2

1



Part Code	K	Z		E	ØP	H	V	M	H1	V1	M1	Code A	Code B
<b>ØD 70 ØAL 60 ØS 35</b>													
HM23350100	100	310											
HM23350150	150	360											
HM23350200	200	410											
HM23350250	250	460											
HM23350300	300	510											
HM23350350	350	560											
HM23350400	400	610		3/8"	25.3	50	50	25	50	80	25	CB25050050	CB25050080
HM23350450	450	660											
HM23350500	500	710											
HM23350550	550	760											
HM23350600	600	810											
HM23350800	800	1010											
HM23351000	1000	1210											
<b>ØD 70 ØAL 60 ØS 40</b>													
HM23400200	200	410											
HM23400250	250	460											
HM23400300	300	510											
HM23400350	350	560											
HM23400400	400	610											
HM23400450	450	660		3/8"	20.3	50	50	25	50	80	25	CB25050050	CB25050080
HM23400500	500	710											
HM23400550	550	760											
HM23400600	600	810											
HM23400800	800	1010											
HM23401000	1000	1210											
<b>ØD 73 ØAL 63 ØS 40</b>													
HM2063400200	200	410											
HM2063400250	250	460											
HM2063400300	300	510											
HM2063400350	350	560											
HM2063400400	400	610											
HM2063400450	450	660		3/8"	20.3	50	50	25	50	80	25	CB25050050	CB25050080
HM2063400500	500	710											
HM2063400550	550	760											
HM2063400600	600	810											
HM2063400800	800	1010											
HM2063401000	1000	1210											

## Double Acting Hydraulic Cylinders

### HM2

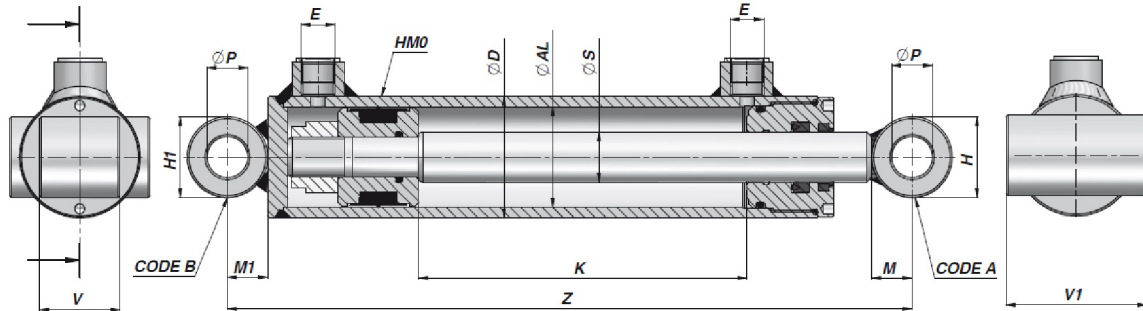
1

Part Code	K	Z		E	ØP	H	V	M	H1	V1	M1	Code A	Code B
<b>ØD 80 ØAL 70 ØS 35</b>													
HM24350100	100	310		3/8"	25.3	50	50	25	50	90	25	CB25050050	CB25050090
HM24350150	150	360											
HM24350200	200	410											
HM24350250	250	460											
HM24350300	300	510											
HM24350350	350	560											
HM24350400	400	610											
HM24350450	450	660											
HM24350500	500	710											
HM24350550	550	760											
HM24350600	600	810											
HM24350800	800	1010											
HM24351000	1000	1210											
<b>ØD 80 ØAL 70 ØS 40</b>													
HM24400200	200	410		3/8"	25.3	50	50	25	50	90	25	CB25050050	CB25050090
HM24400250	250	460											
HM24400300	300	510											
HM24400350	350	560											
HM24400400	400	610											
HM24400450	450	660											
HM24400500	500	710											
HM24400550	550	760											
HM24400600	600	810											
HM24400800	800	1010											
HM24401000	1000	1210											
<b>ØD 92 ØAL 80 ØS 40</b>													
HM25400200	200	440		1/2"	30.3	60	60	30	60	110	30	CB30060060	CB30060110
HM25400250	250	490											
HM25400300	300	540											
HM25400400	400	640											
HM25400500	500	740											
HM25400600	600	840											
HM25400800	800	1040											
HM25401000	1000	1240											
<b>ØD 92 ØAL 80 ØS 50</b>													
HM25500200	200	440		1/2"	30.3	60	60	30	60	110	30	CB30060060	CB30060110
HM25500250	250	490											
HM25500300	300	540											
HM25500400	400	640											
HM25500500	500	740											
HM25500600	600	840											
HM25500800	800	1040											
HM25501000	1000	1240											



## Double Acting Hydraulic Cylinders HM2

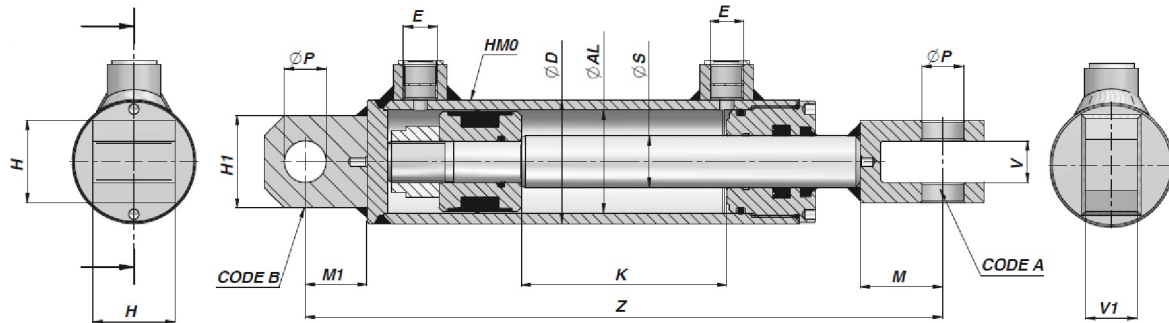
1



Part Code	K	Z		E	ØP	H	V	M	H1	V1	M1	Code A	Code B
<b>ØD105 ØAL 90 ØS 50</b>													
HM2090500300	300	556		1/2"	40.3	70	70	35	70	130	35	CB40070070	CB40070130
HM2090500400	400	656											
HM2090500500	500	756											
HM2090500600	600	856											
HM2090500800	800	1056											
HM2090501000	1000	1256											
<b>ØD115 ØAL100 ØS 50</b>													
HM26500200	200	480		1/2"	40.3	70	70	35	70	130	35	CB40070070	CB40070130
HM26500250	250	530											
HM26500300	300	580											
HM26500400	400	680											
HM26500500	500	780											
HM26500600	600	880											
HM26500800	800	1080											
HM26501000	1000	1280											
<b>ØD115 ØAL100 ØS 60</b>													
HM26600300	300	580		1/2"	40.3	70	70	35	70	130	35	CB40070070	CB40070130
HM26600400	400	680											
HM26600500	500	780											
HM26600600	600	880											
HM26600800	800	1080											
HM26601000	1000	1280											

1

## Double Acting Hydraulic Cylinders HM5



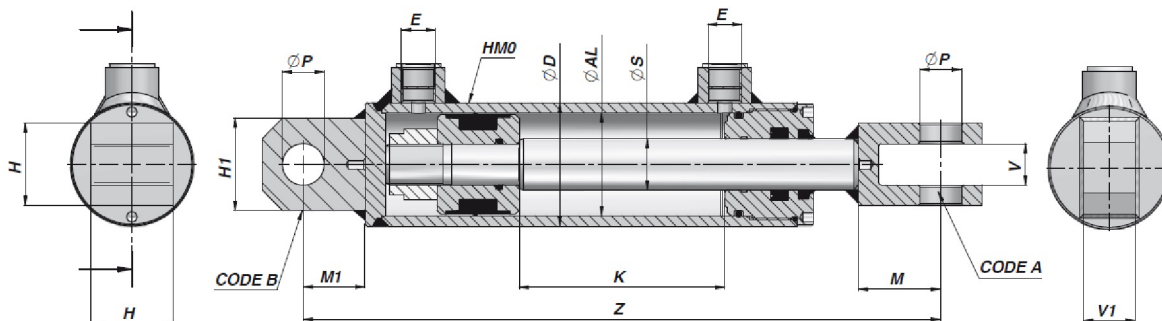
Part Code	K	Z		E	ØP	H	V	M	H1	V1	M1	Code A	Code B
<b>ØD 42    ØAL 32    ØS 20</b>													
HM5032200050	50	214		1/4"	16.2	35	16	34	35	20	25	CFS0000016	COF1600000
HM5032200100	100	264											
HM5032200150	150	314											
HM5032200200	200	364											
HM5032200250	250	414											
HM5032200300	300	464											
HM5032200400	400	564											
HM5032200500	500	664											
<b>ØD 50    ØAL 40    ØS 20</b>													
HM51200100	100	289		1/4"	16.2	35	16	34	35	20	25	CFS0000016	COF1600000
HM51200150	150	339											
HM51200200	200	389											
HM51200250	250	439											
HM51200300	300	489											
HM51200350	350	539											
HM51200400	400	589											
HM51200450	450	639											
HM51200500	500	689											
<b>ØD 50    ØAL 40    ØS 25</b>													
HM51250100	100	289		1/4"	16.2	35	16	34	35	20	25	CFS0000016	COF1600000
HM51250150	150	339											
HM51250200	200	389											
HM51250250	250	439											
HM51250300	300	489											
HM51250350	350	539											
HM51250400	400	589											
HM51250450	450	639											
HM51250500	500	689											
HM51250550	550	739											
HM51250600	600	789											

## Double Acting Hydraulic Cylinders HM5

1

Part Code	K	Z		E	ØP	H	V	M	H1	V1	M1	Code A	Code B
<b>ØD 60 ØAL 50 ØS 25</b>													
HM52250100	100	310		3/8"	20.3	40	20	40	45	25	30	CFS0000020	COF2000000
HM52250150	150	360											
HM52250200	200	410											
HM52250250	250	460											
HM52250300	300	510											
HM52250350	350	560											
HM52250400	400	610											
HM52250450	450	660											
HM52250500	500	710											
HM52250550	550	760											
HM52250600	600	810											
HM52250800	800	1010											
HM52251000	1000	1210											
<b>ØD 60 ØAL 50 ØS 30</b>													
HM52300150	150	360		3/8"	20.3	40	20	40	45	25	30	CFS0000020	COF2000000
HM52300200	200	410											
HM52300250	250	460											
HM52300300	300	510											
HM52300350	350	560											
HM52300400	400	610											
HM52300450	450	660											
HM52300500	500	710											
HM52300550	550	760											
HM52300600	600	810											
HM52300700	700	910											
HM52300800	800	1010											
HM52301000	1000	1210											
<b>ØD 70 ØAL 60 ØS 30</b>													
HM53300100	100	340		3/8"	25.3	50	25	45	50	30	35	CFS0000025	COF2500000
HM53300150	150	390											
HM53300200	200	440											
HM53300250	250	490											
HM53300300	300	540											
HM53300350	350	590											
HM53300400	400	640											
HM53300450	450	690											
HM53300500	500	740											
HM53300550	550	790											
HM53300600	600	840											
HM53300800	800	1040											
HM53301000	1000	1240											

## Double Acting Hydraulic Cylinders HM5



Part Code	K	Z		E	ØP	H	V	M	H1	V1	M1	Code A	Code B
<b>ØD 70 ØAL 60 ØS 35</b>													
HM53350100	100	340											
HM53350150	150	390											
HM53350200	200	440											
HM53350250	250	490											
HM53350300	300	540											
HM53350350	350	590											
HM53350400	400	640		3/8"	25.3	50	25	45	50	30	35	CFS0000025	COF2500000
HM53350450	450	690											
HM53350500	500	740											
HM53350550	550	790											
HM53350600	600	840											
HM53350800	800	1040											
HM53351000	1000	1240											
<b>ØD 70 ØAL 60 ØS 40</b>													
HM53400200	200	440											
HM53400250	250	490											
HM53400300	300	540											
HM53400350	350	590											
HM53400400	400	640											
HM53400450	450	690		3/8"	25.3	50	25	45	50	30	35	CFS0000025	COF2500000
HM53400500	500	740											
HM53400550	550	790											
HM53400600	600	840											
HM53400800	800	1040											
HM53401000	1000	1240											
<b>ØD 73 ØAL 63 ØS 40</b>													
HM5063400200	200	440											
HM5063400250	250	490											
HM5063400300	300	540											
HM5063400350	350	590											
HM5063400400	400	640											
HM5063400450	450	690		3/8"	25.3	50	25	45	50	30	35	CFS0000025	COF2500000
HM5063400500	500	740											
HM5063400550	550	790											
HM5063400600	600	840											
HM5063400800	800	1040											
HM5063401000	1000	1240											

## Double Acting Hydraulic Cylinders

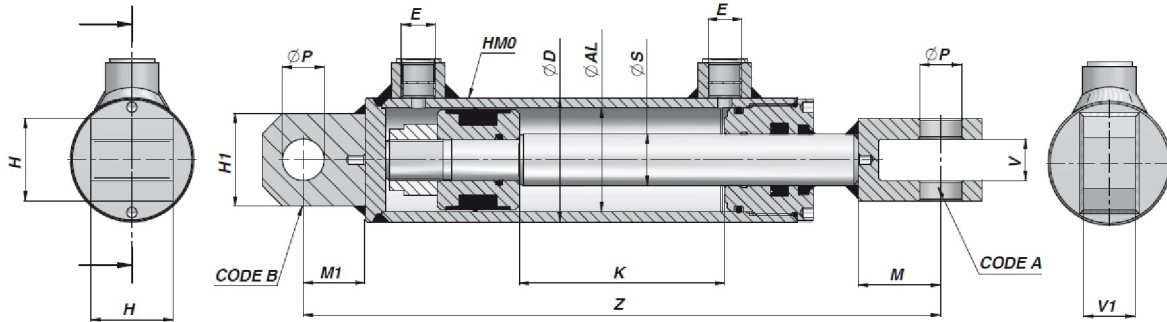
### HM5

1

Part Code	K	Z		E	ØP	H	V	M	H1	V1	M1	Code A	Code B
ØD 80    ØAL 70    ØS 35													
HM54350100	100	340		3/8"	25.3	50	25	45	50	30	35	CFS0000025	COF2500000
HM54350150	150	390											
HM54350200	200	440											
HM54350250	250	490											
HM54350300	300	540											
HM54350350	350	590											
HM54350400	400	640											
HM54350450	450	690											
HM54350500	500	740											
HM54350550	550	790											
HM54350600	600	840											
HM54350800	800	1040											
HM54351000	1000	1240											
ØD 80    ØAL 70    ØS 40													
HM54400200	200	440		3/8"	25.3	50	25	45	50	30	35	CFS0000025	COF2500000
HM54400250	250	490											
HM54400300	300	540											
HM54400350	350	590											
HM54400400	400	640											
HM54400450	450	690											
HM54400500	500	740											
HM54400550	550	790											
HM54400600	600	840											
HM54400800	800	1040											
HM54401000	1000	1240											
ØD 92    ØAL 80    ØS 40													
HM55400200	200	475		1/2"	30.3	60	30	50	60	35	45	CFS0000030	COF3000000
HM55400250	250	525											
HM55400300	300	575											
HM55400400	400	675											
HM55400500	500	775											
HM55400600	600	875											
HM55400800	800	1075											
HM55401000	1000	1275											
ØD 92    ØAL 80    ØS 50													
HM55500200	200	475		1/2"	30.3	60	30	50	60	35	45	CFS0000030	COF3000000
HM55500250	250	525											
HM55500300	300	575											
HM55500400	400	675											
HM55500500	500	775											
HM55500600	600	875											
HM55500800	800	1075											
HM55501000	1000	1275											

## Double Acting Hydraulic Cylinders HM5

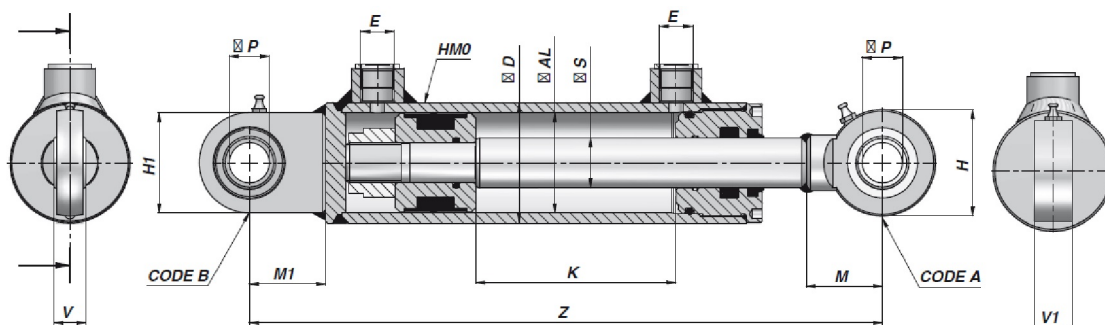
1



Part Code	K	Z		E	ØP	H	V	M	H1	V1	M1	Code A	Code B
<b>ØD105 ØAL 90 ØS 50</b>													
HM5090500300	300	616		1/2"	40.3	80	40	70	70	40	60	CFS0000040	COF4000000
HM5090500400	400	716											
HM5090500500	500	816											
HM5090500600	600	916											
HM5090500800	800	1116											
HM5090501000	1000	1316											
<b>ØD115 ØAL100 ØS 50</b>													
HM56500200	200	540		1/2"	40.3	80	40	70	70	40	60	CFS0000040	COF4000000
HM56500250	250	590											
HM56500300	300	640											
HM56500400	400	740											
HM56500500	500	840											
HM56500600	600	940											
HM56500800	800	1140											
HM56501000	1000	1340											
<b>ØD115 ØAL100 ØS 60</b>													
HM56600300	300	640		1/2"	40.3	80	40	70	70	40	60	CFS0000040	COF4000000
HM56600400	400	740											
HM56600500	500	840											
HM56600600	600	940											
HM56600800	800	1140											
HM56601000	1000	1340											

## Double Acting Hydraulic Cylinders HMB

1



Part Code	K	Z		E	ØP	H	V	M	H1	V1	M1	Code A	Code B
<b>ØD 42 ØAL 32 ØS 20</b>													
HMB032200050	50	225		1/4"	16	46	14	35	48	17.5	35	CSTS016C00	CSTS016N00
HMB032200100	100	275											
HMB032200150	150	325											
HMB032200200	200	375											
HMB032200250	250	425											
HMB032200300	300	475											
HMB032200400	400	575											
HMB032200500	500	675											
<b>ØD 50 ØAL 40 ØS 20</b>													
HMB1200100	100	300		1/4"	16.3	35	30	17.5	35	60	17.5	CSTS016C00	CSTS016N00
HMB1200150	150	350											
HMB1200200	200	400											
HMB1200250	250	450											
HMB1200300	300	500											
HMB1200350	350	550											
HMB1200400	400	600											
HMB1200450	450	650											
HMB1200500	500	700											
<b>ØD 50 ØAL 40 ØS 25</b>													
HMB1250100	100	300		1/4"	16	46	14	35	48	17.5	35	CSTS016C00	CSTS016N00
HMB1250150	150	350											
HMB1250200	200	400											
HMB1250250	250	450											
HMB1250300	300	500											
HMB1250350	350	550											
HMB1250400	400	600											
HMB1250450	450	650											
HMB1250500	500	700											
HMB1250550	550	750											
HMB1250600	600	800											

## Double Acting Hydraulic Cylinders HMB

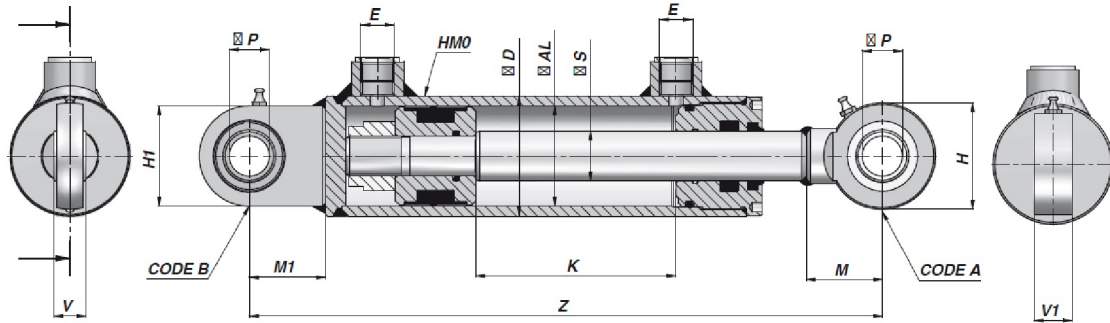
1

Part Code	K	Z		E	ØP	H	V	M	H1	V1	M1	Code A	Code B
<b>ØD 60 ØAL 50 ØS 25</b>													
HMB2250100	100	316		3/8"	20	53	16	38	50	19	38	CSTS020C00	CSTS020N00
HMB2250150	150	366											
HMB2250200	200	416											
HMB2250250	250	466											
HMB2250300	300	516											
HMB2250350	350	566											
HMB2250400	400	616											
HMB2250450	450	666											
HMB2250500	500	716											
HMB2250550	550	766											
HMB2250600	600	816											
HMB2250800	800	1016											
HMB2251000	1000	1216											
<b>ØD 60 ØAL 50 ØS 30</b>													
HMB2300150	150	366		3/8"	20	53	16	38	50	19	38	CSTS020C00	CSTS020N00
HMB2300200	200	416											
HMB2300250	250	466											
HMB2300300	300	516											
HMB2300350	350	566											
HMB2300400	400	616											
HMB2300450	450	666											
HMB2300500	500	716											
HMB2300550	550	766											
HMB2300600	600	816											
HMB2300700	700	916											
HMB2300800	800	1016											
HMB2301000	1000	1216											
<b>ØD 70 ØAL 60 ØS 30</b>													
HMB3300100	100	350		3/8"	25	64	20	45	55	23	45	CSTS025C00	CSTS025N00
HMB3300150	150	400											
HMB3300200	200	450											
HMB3300250	250	500											
HMB3300300	300	550											
HMB3300350	350	600											
HMB3300400	400	650											
HMB3300450	450	700											
HMB3300500	500	750											
HMB3300550	550	800											
HMB3300600	600	850											
HMB3300800	800	1050											
HMB3301000	1000	1250											



## Double Acting Hydraulic Cylinders HMB

1



Part Code	K	Z		E	ØP	H	V	M	H1	V1	M1	Code A	Code B
<b>ØD 70 ØAL 60 ØS 35</b>													
HMB3350100	100	350											
HMB3350150	150	400											
HMB3350200	200	450											
HMB3350250	250	500											
HMB3350300	300	550											
HMB3350350	350	600											
HMB3350400	400	650		3/8"	25	64	20	45	55	23	45	CSTS025C00	CSTS025N00
HMB3350450	450	700											
HMB3350500	500	750											
HMB3350550	550	800											
HMB3350600	600	850											
HMB3350800	800	1050											
HMB3351000	1000	1250											
<b>ØD 70 ØAL 60 ØS 40</b>													
HMB3400200	200	450											
HMB3400250	250	500											
HMB3400300	300	550											
HMB3400350	350	600											
HMB3400400	400	650											
HMB3400450	450	700		3/8"	25	64	20	45	55	23	45	CSTS025C00	CSTS025N00
HMB3400500	500	750											
HMB3400550	550	800											
HMB3400600	600	850											
HMB3400800	800	1050											
HMB3401000	1000	1250											
<b>ØD 73 ØAL 63 ØS 40</b>													
HMB063400200	200	450											
HMB063400250	250	500											
HMB063400300	300	550											
HMB063400350	350	600											
HMB063400400	400	650											
HMB063400450	450	700		3/8"	25	64	20	45	55	23	45	CSTS025C00	CSTS025N00
HMB063400500	500	750											
HMB063400550	550	800											
HMB063400600	600	850											
HMB063400800	800	1050											
HMB063401000	1000	1250											

## Double Acting Hydraulic Cylinders

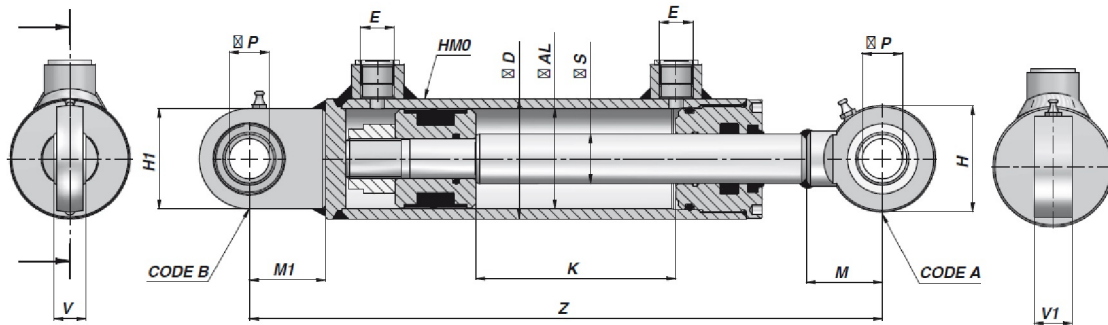
### HMB

1

Part Code	K	Z		E	ØP	H	V	M	H1	V1	M1	Code A	Code B
<b>ØD 80 ØAL 70 ØS 35</b>													
HMB4350100	100	350		3/8"	25	64	20	45	55	23	45	CSTS025C00	CSTS025N00
HMB4350150	150	400											
HMB4350200	200	450											
HMB4350250	250	500											
HMB4350300	300	550											
HMB4350350	350	600											
HMB4350400	400	650											
HMB4350450	450	700											
HMB4350500	500	750											
HMB4350550	550	800											
HMB4350600	600	850											
HMB4350800	800	1050											
HMB4351000	1000	1250											
<b>ØD 80 ØAL 70 ØS 40</b>													
HMB4400200	200	450		3/8"	25	64	20	45	55	23	45	CSTS025C00	CSTS025N00
HMB4400250	250	500											
HMB4400300	300	550											
HMB4400350	350	600											
HMB4400400	400	650											
HMB4400450	450	700											
HMB4400500	500	750											
HMB4400550	550	800											
HMB4400600	600	850											
HMB4400800	800	1050											
HMB4401000	1000	1250											
<b>ØD 92 ØAL 80 ØS 40</b>													
HMB5400200	200	482		1/2"	30	73	22	51	65	28	51	CSTS030C00	CSTS030N00
HMB5400250	250	532											
HMB5400300	300	582											
HMB5400400	400	682											
HMB5400500	500	782											
HMB5400600	60	882											
HMB5400800	800	1082											
HMB5401000	1000	1282											
<b>ØD 92 ØAL 80 ØS 50</b>													
HMB5500200	200	482		1/2"	30	73	22	51	65	28	51	CSTS030C00	CSTS030N00
HMB5500250	250	532											
HMB5500300	300	582											
HMB5500400	400	682											
HMB5500500	500	782											
HMB5500600	60	882											
HMB5500800	800	1082											
HMB5501000	1000	1282											

## Double Acting Hydraulic Cylinders HMB

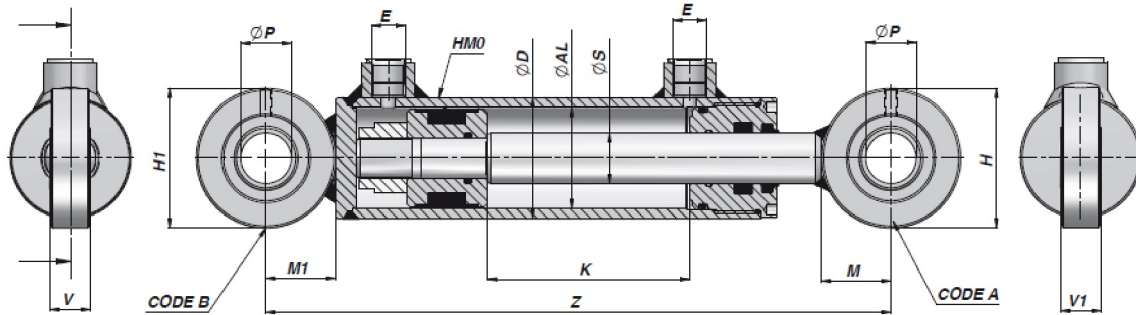
1



Part Code	K	Z		E	ØP	H	V	M	H1	V1	M1	Code A	Code B
<b>ØD105 ØAL 90 ØS 50</b>													
HMB090500300	300	624		1/2"	40	92	28	69	100	35	69	CSTS040C00	CSTS040N00
HMB090500400	400	724											
HMB090500500	500	824											
HMB090500600	600	924											
HMB090500800	800	1124											
HMB090501000	1000	1324											
<b>ØD115 ØAL100 ØS 50</b>													
HMB6500200	200	548		1/2"	40	92	28	69	100	35	69	CSTS040C00	CSTS040N00
HMB6500250	250	598											
HMB6500300	300	648											
HMB6500400	400	748											
HMB6500500	500	848											
HMB6500600	600	948											
HMB6500800	800	1148											
HMB6501000	1000	1348											
<b>ØD115 ØAL100 ØS 60</b>													
HMB6600300	300	648		1/2"	40	92	28	69	100	35	69	CSTS040C00	CSTS040N00
HMB6600400	400	748											
HMB6600500	500	848											
HMB6600600	600	948											
HMB6600800	800	1148											
HMB6601000	1000	1348											

## Double Acting Hydraulic Cylinders HMC

1



Part Code	K	Z		E	ØP	H	V	M	H1	V1	M1	Code A	Code B
<b>ØD 42    ØAL 32    ØS 20</b>													
HMC032200050	50	195		1/4"	15	40	12	20	40	12	20	CAGEG04002615	CAGEG04002615
HMC032200100	100	245											
HMC032200150	150	295											
HMC032200200	200	345											
HMC032200250	250	395											
HMC032200300	300	445											
HMC032200400	400	545											
HMC032200500	500	645											
<b>ØD 50    ØAL 40    ØS 20</b>													
HMC1200100	100	280		1/4"	20	50	16	25	50	16	25	CAGEG05003520	CAGEG05003520
HMC1200150	150	330											
HMC1200200	200	380											
HMC1200250	250	430											
HMC1200300	300	480											
HMC1200350	350	530											
HMC1200400	400	580											
HMC1200450	450	630											
HMC1200500	500	680											
<b>ØD 50    ØAL 40    ØS 25</b>													
HMC1250100	100	280		1/4"	20	50	16	25	50	16	25	CAGEG05003520	CAGEG05003520
HMC1250150	150	330											
HMC1250200	200	380											
HMC1250250	250	430											
HMC1250300	300	480											
HMC1250350	350	530											
HMC1250400	400	580											
HMC1250450	450	630											
HMC1250500	500	680											
HMC1250550	550	730											
HMC1250600	600	780											

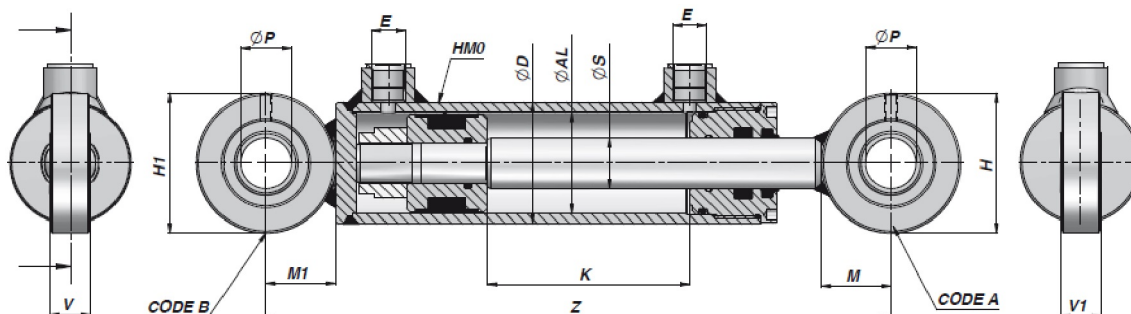
## Double Acting Hydraulic Cylinders HMC

1

Part Code	K	Z		E	ØP	H	V	M	H1	V1	M1	Code A	Code B
ØD 60    ØAL 50    ØS 25													
HMC2250100	100	309		3/8"	25	69	20	34.5	69	20	34.5	CAGEG06904225	CAGEG06904225
HMC2250150	150	359											
HMC2250200	200	409											
HMC2250250	250	459											
HMC2250300	300	509											
HMC2250350	350	559											
HMC2250400	400	609											
HMC2250450	450	659											
HMC2250500	500	709											
HMC2250550	550	759											
HMC2250600	600	809											
HMC2250800	800	1009											
HMC2251000	1000	1209											
ØD 60    ØAL 50    ØS 30													
HMC2300150	150	359		3/8"	25	69	20	34.5	69	20	34.5	CAGEG06904225	CAGEG06904225
HMC2300200	200	409											
HMC2300250	250	459											
HMC2300300	300	509											
HMC2300350	350	559											
HMC2300400	400	609											
HMC2300450	450	659											
HMC2300500	500	709											
HMC2300550	550	759											
HMC2300600	600	809											
HMC2300700	700	909											
HMC2300800	800	1009											
HMC2301000	1000	1209											
ØD 70    ØAL 60    ØS 30													
HMC3300100	100	329		3/8"	25	69	20	34.5	69	20	34.5	CAGEG06904225	CAGEG06904225
HMC3300150	150	379											
HMC3300200	200	429											
HMC3300250	250	479											
HMC3300300	300	529											
HMC3300350	350	579											
HMC3300400	400	629											
HMC3300450	450	679											
HMC3300500	500	729											
HMC3300550	550	779											
HMC3300600	600	829											
HMC3300800	800	1029											
HMC3301000	1000	1229											

1

## Double Acting Hydraulic Cylinders HMC



Part Code	K	Z		E	ØP	H	V	M	H1	V1	M1	Code A	Code B
<b>ØD 70 ØAL 60 ØS 35</b>													
HMC3350100	100	329											
HMC3350150	150	379											
HMC3350200	200	429											
HMC3350250	250	479											
HMC3350300	300	529											
HMC3350350	350	579											
HMC3350400	400	629		3/8"	25	69	20	34.5	69	20	34.5	CAGEG06904225	CAGEG06904225
HMC3350450	450	679											
HMC3350500	500	729											
HMC3350550	550	779											
HMC3350600	600	829											
HMC3350800	800	1029											
HMC3351000	1000	1229											
<b>ØD 70 ØAL 60 ØS 40</b>													
HMC3400200	200	429											
HMC3400250	250	479											
HMC3400300	300	529											
HMC3400350	350	579											
HMC3400400	400	629											
HMC3400450	450	679		3/8"	25	69	20	34.5	69	20	34.5	CAGEG06904225	CAGEG06904225
HMC3400500	500	729											
HMC3400550	550	779											
HMC3400600	600	829											
HMC3400800	800	1029											
HMC3401000	1000	1229											
<b>ØD 73 ØAL 63 ØS 40</b>													
HMC063400200	200	429											
HMC063400250	250	479											
HMC063400300	300	529											
HMC063400350	350	579											
HMC063400400	400	629											
HMC063400450	450	679		3/8"	25	69	20	34.5	69	20	34.5	CAGEG06904225	CAGEG06904225
HMC063400500	500	729											
HMC063400550	550	779											
HMC063400600	600	829											
HMC063400800	800	1029											
HMC063401000	1000	1229											

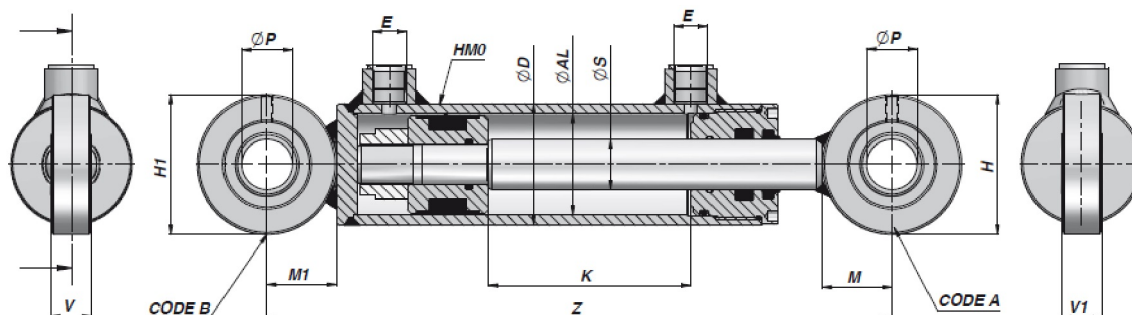
## Double Acting Hydraulic Cylinders HMC

1

Part Code	K	Z		E	ØP	H	V	M	H1	V1	M1	Code A	Code B
<b>ØD 80 ØAL 70 ØS 35</b>													
HMC4350100	100	335		3/8"	30	75	22	37.5	75	22	37.5	CAGEG07504730	CAGEG07504730
HMC4350150	150	385											
HMC4350200	200	435											
HMC4350250	250	485											
HMC4350300	300	535											
HMC4350350	350	585											
HMC4350400	400	635											
HMC4350450	450	685											
HMC4350500	500	735											
HMC4350550	550	785											
HMC4350600	600	835											
HMC4350800	800	1035											
HMC4351000	1000	1235											
<b>ØD 80 ØAL 70 ØS 40</b>													
HMC4400200	200	435		3/8"	30	75	22	37.5	75	22	37.5	CAGEG07504730	CAGEG07504730
HMC4400250	250	485											
HMC4400300	300	535											
HMC4400350	350	585											
HMC4400400	400	635											
HMC4400450	450	685											
HMC4400500	500	735											
HMC4400550	550	785											
HMC4400600	600	835											
HMC4400800	800	1035											
HMC4401000	1000	1235											
<b>ØD 92 ØAL 80 ØS 40</b>													
HMC5400200	200	474		1/2"	40	94	28	47	94	28	47	CAGEG09406240	CAGEG09406240
HMC5400250	250	524											
HMC5400300	300	574											
HMC5400400	400	674											
HMC5400500	500	774											
HMC5400600	600	874											
HMC5400800	800	1074											
HMC5401000	1000	1274											
<b>ØD 92 ØAL 80 ØS 50</b>													
HMC5500200	200	474		1/2"	40	94	28	47	94	28	47	CAGEG09406240	CAGEG09406240
HMC5500250	250	524											
HMC5500300	300	574											
HMC5500400	400	674											
HMC5500500	500	774											
HMC5500600	600	874											
HMC5500800	800	1074											
HMC5501000	1000	1274											

1

## Double Acting Hydraulic Cylinders HMC



Part Code	K	Z		E	ØP	H	V	M	H1	V1	M1	Code A	Code B
<b>ØD105 ØAL 90 ØS 50</b>													
HMC090500300	300	580		1/2"	40	94	28	47	94	28	47	CAGEG09406240	CAGEG09406240
HMC090500400	400	680											
HMC090500500	500	780											
HMC090500600	600	880											
HMC090500800	800	1080											
HMC090501000	1000	1280											
<b>ØD115 ØAL100 ØS 50</b>													
HMC6500200	200	530		1/2"	50	120	40	60	120	40	60	CAGEN12040050 + CGE0500000	CAGEN12040050 + CGE0500000
HMC6500250	250	580											
HMC6500300	300	630											
HMC6500400	400	730											
HMC6500500	500	830											
HMC6500600	600	930											
HMC6500800	800	1130											
HMC6501000	1000	1330											
<b>ØD115 ØAL100 ØS 60</b>													
HMC6600300	300	630		1/2"	50	120	40	60	120	40	60	CAGEN12040050 + CGE0500000	CAGEN12040050 + CGE0500000
HMC6600400	400	730											
HMC6600500	500	830											
HMC6600600	600	930											
HMC6600800	800	1130											
HMC6601000	1000	1330											